

Balcony

<https://www.youtube.com/watch?v=Bz8WD338FAY>

Roof, tiles And windows

<https://www.youtube.com/watch?v=sk-MIxVdIQM>

Windows and doors

<https://www.youtube.com/watch?v=rGqpijRT6W0>


Beginners

https://www.youtube.com/watch?v=M6MOIP_mLsc


Drawing a Cube in Two Point Perspective.

Using the space below draw a cube in Two Point Perspective.

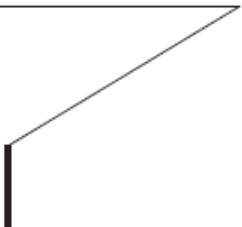
Draw your horizontal line.
The end points will be your
VANISHING POINTS.



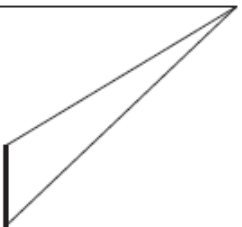
Draw your vertical line



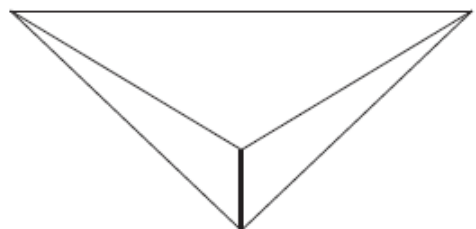
Draw a line from the top of the
vertical to the horizontal line.



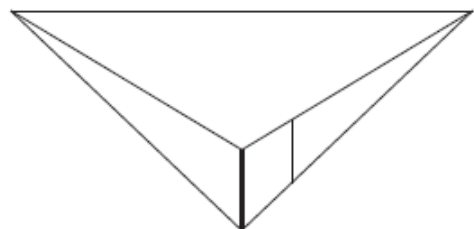
Draw a line from bottom of the
vertical to the horizontal line.



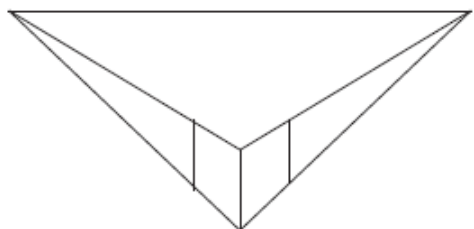
Repeat for the other side.



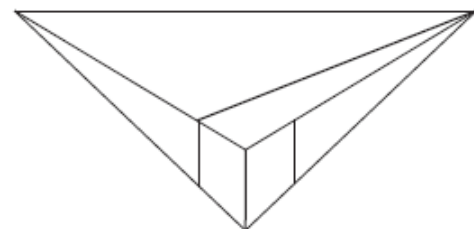
Draw a vertical line as shown.
You are trying to draw a cube.



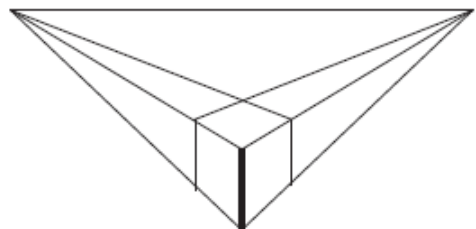
Draw another vertical line.



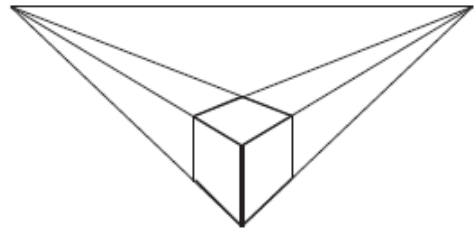
Draw a line from the vertical to
the horizontal as shown.



Draw a line from the vertical to
the horizontal as shown.



Make the Cube stand out by making
the lines darker.



Render the Cube.

