





1

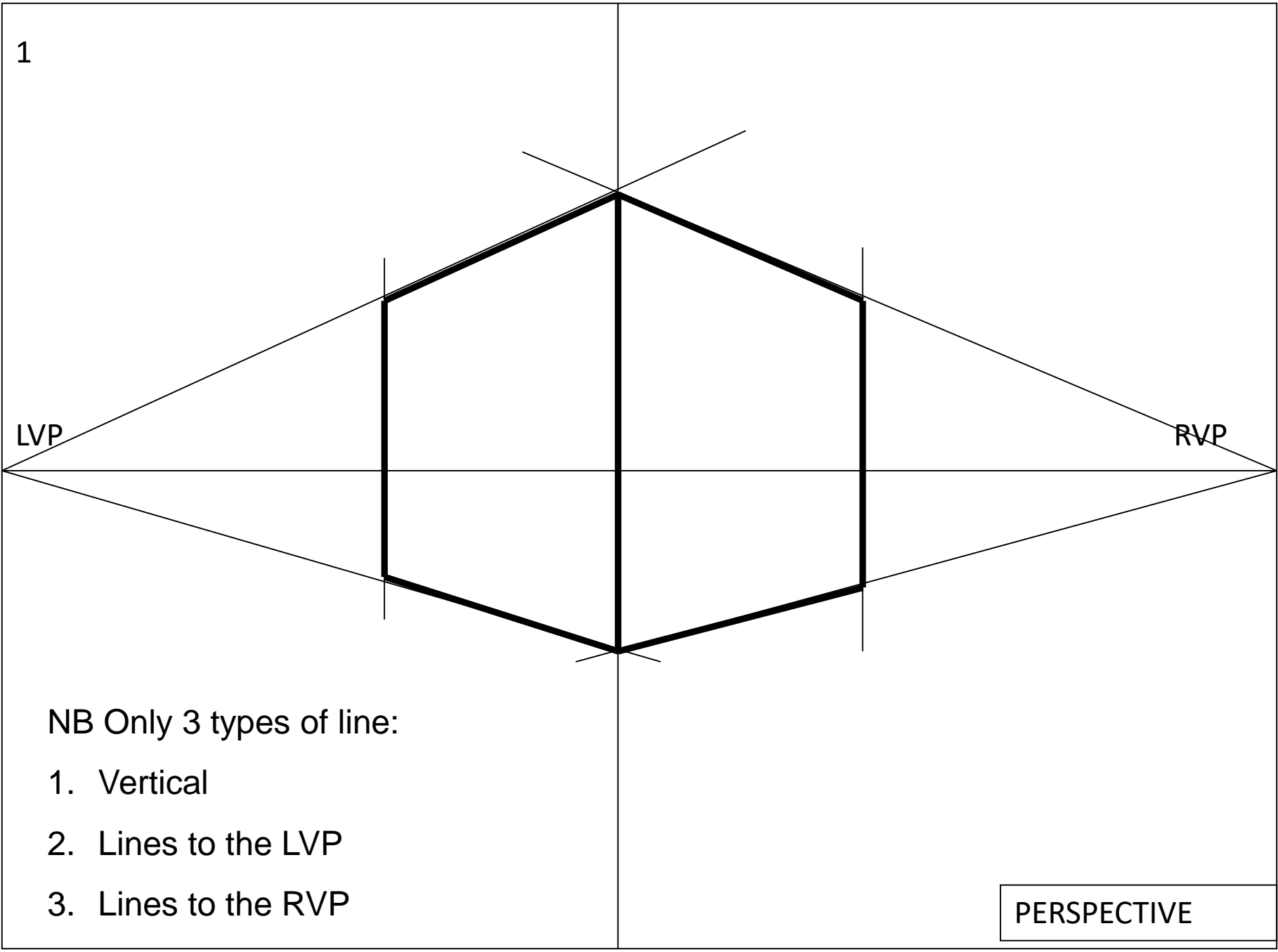
LVP

RVP

NB Only 3 types of line:

1. Vertical
2. Lines to the LVP
3. Lines to the RVP

PERSPECTIVE



1

LVP

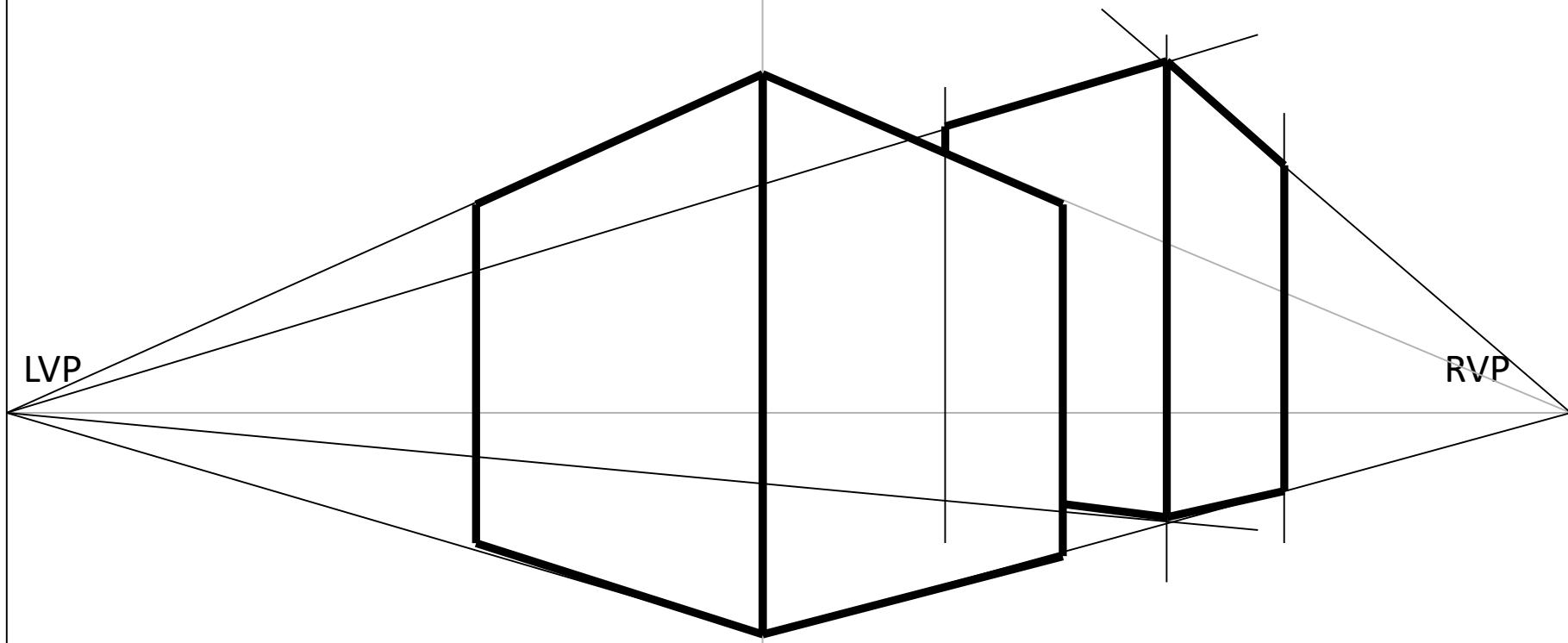
RVP

NB Only 3 types of line:

- 1. Vertical
- 2. Lines to the LVP
- 3. Lines to the RVP

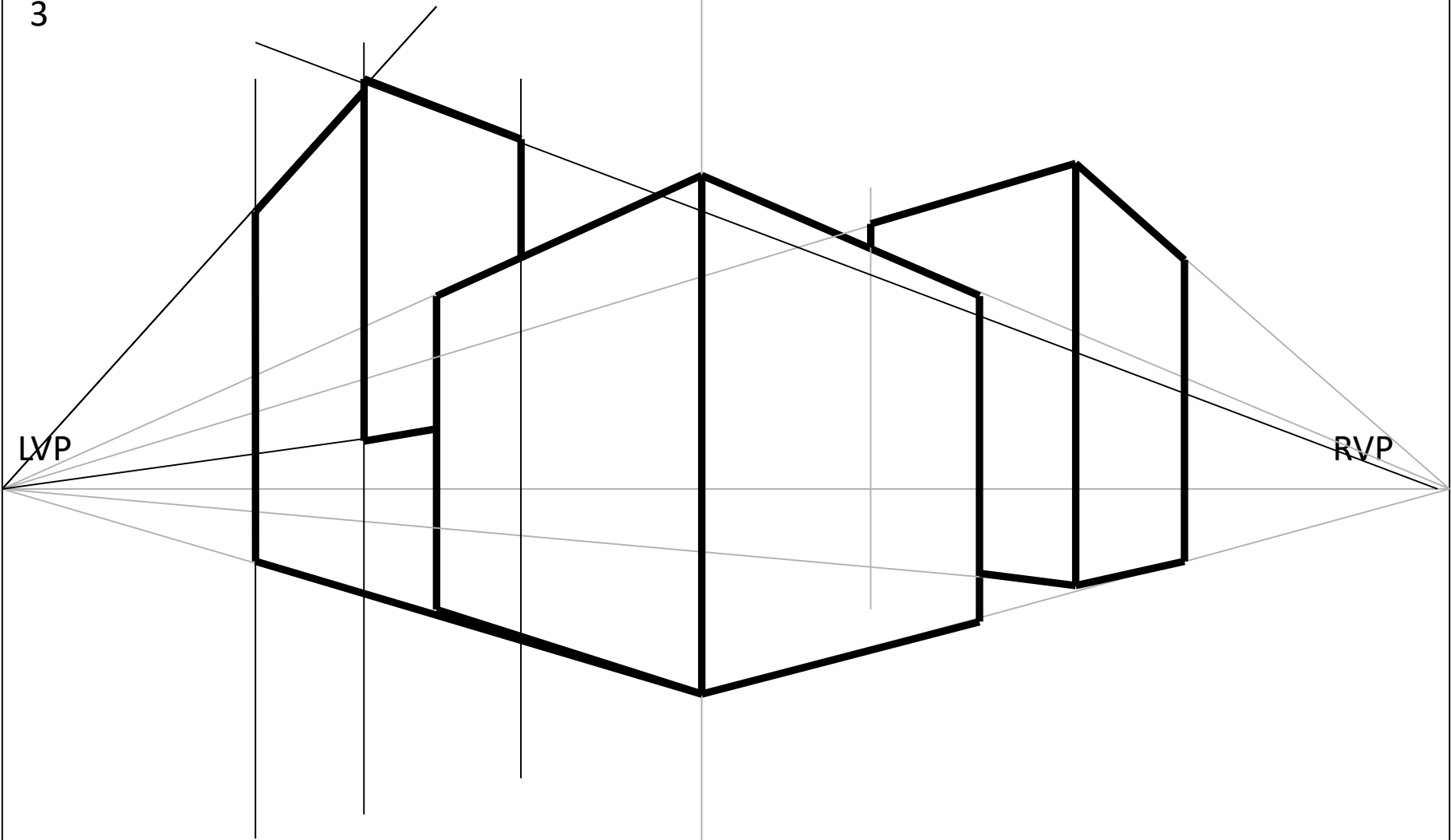
PERSPECTIVE

2



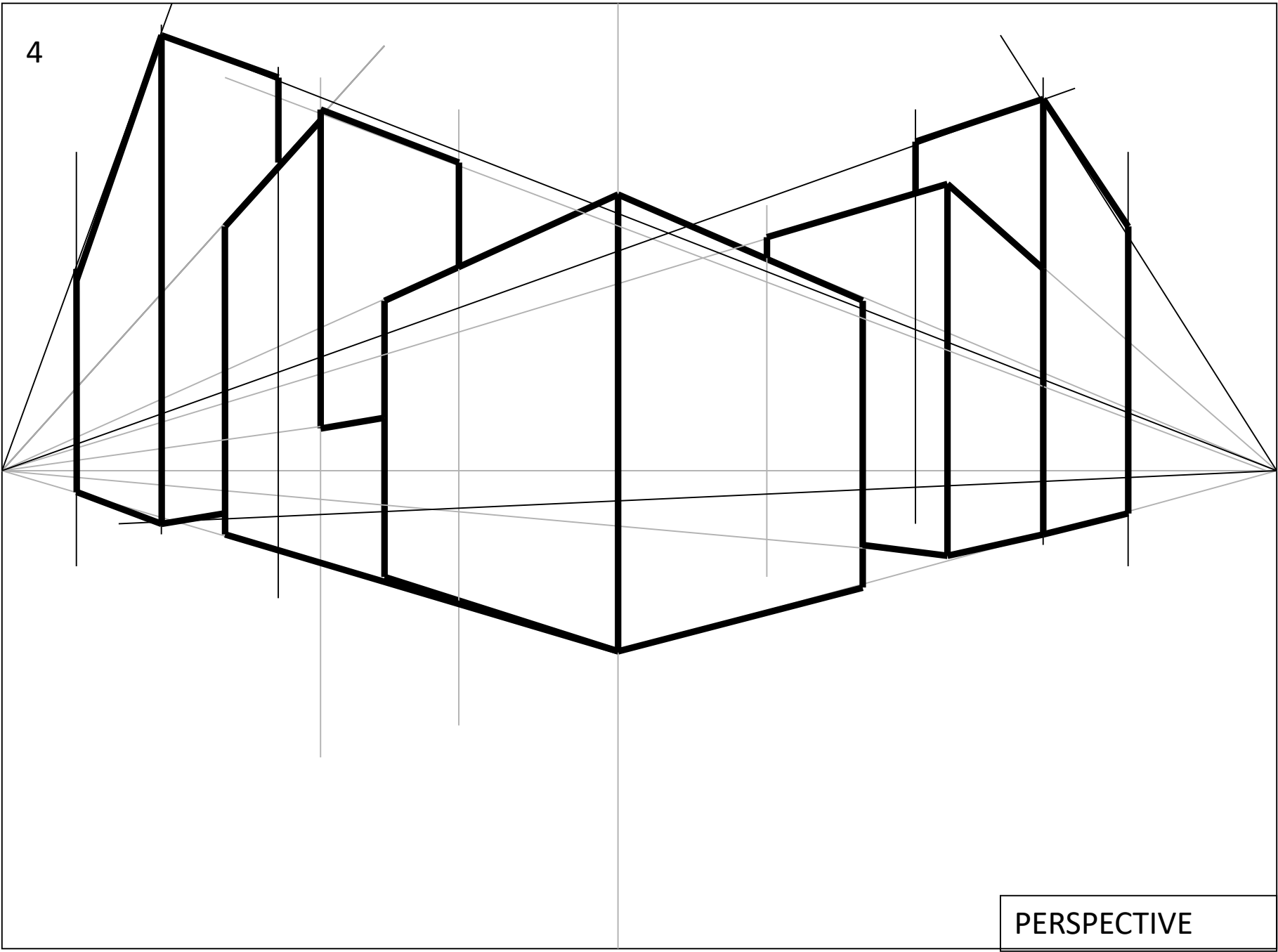
PERSPECTIVE

3



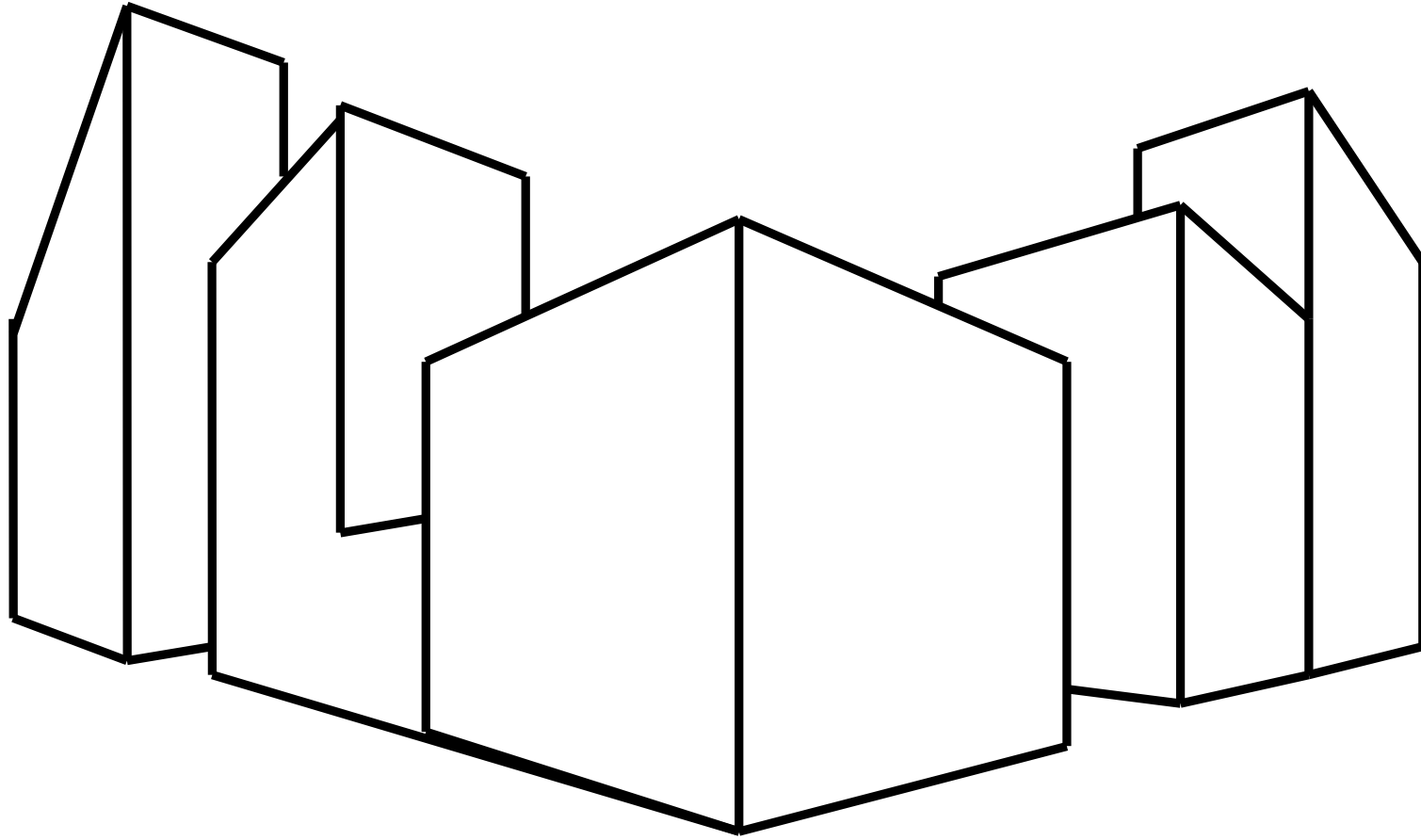
PERSPECTIVE

4



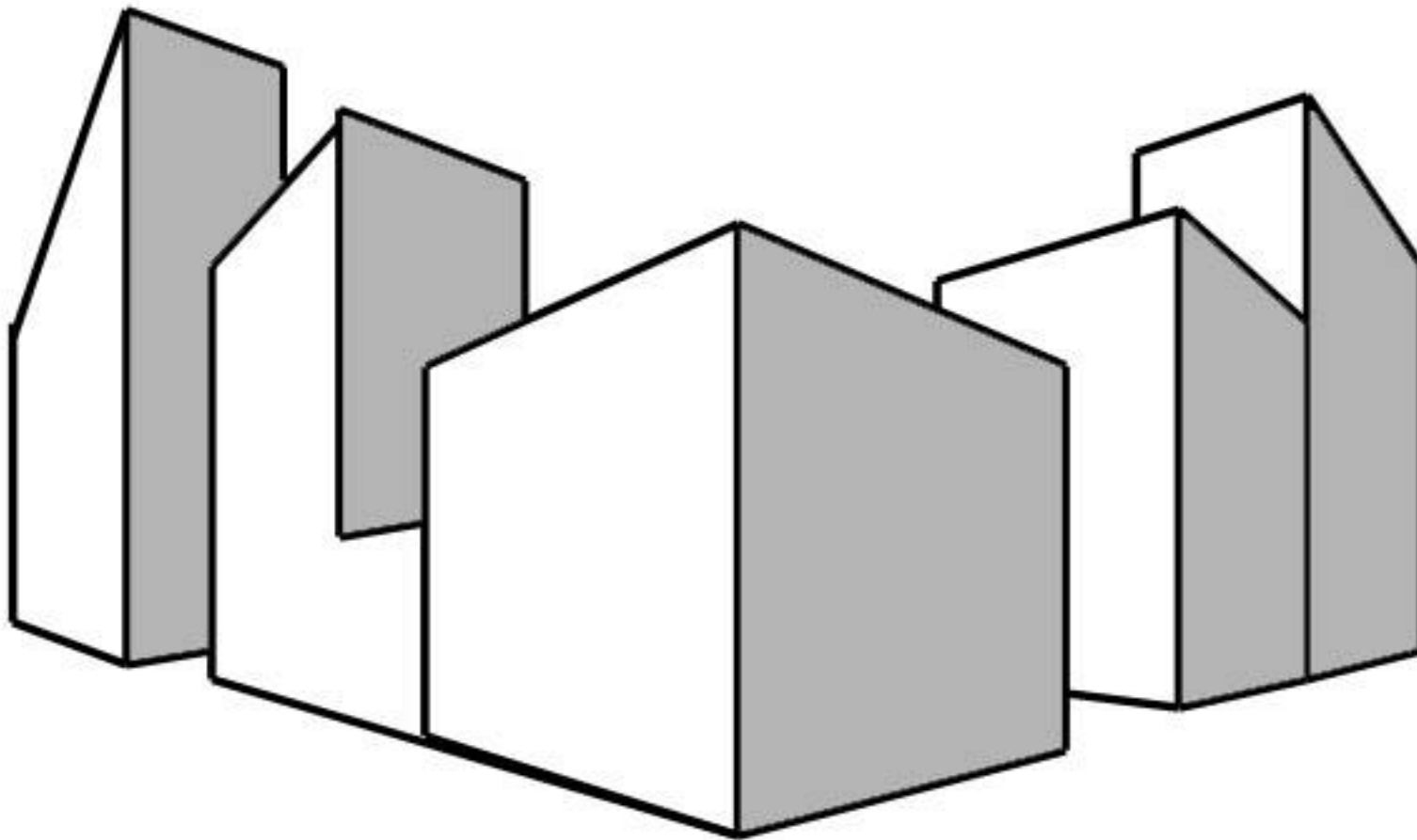
PERSPECTIVE

5



PERSPECTIVE

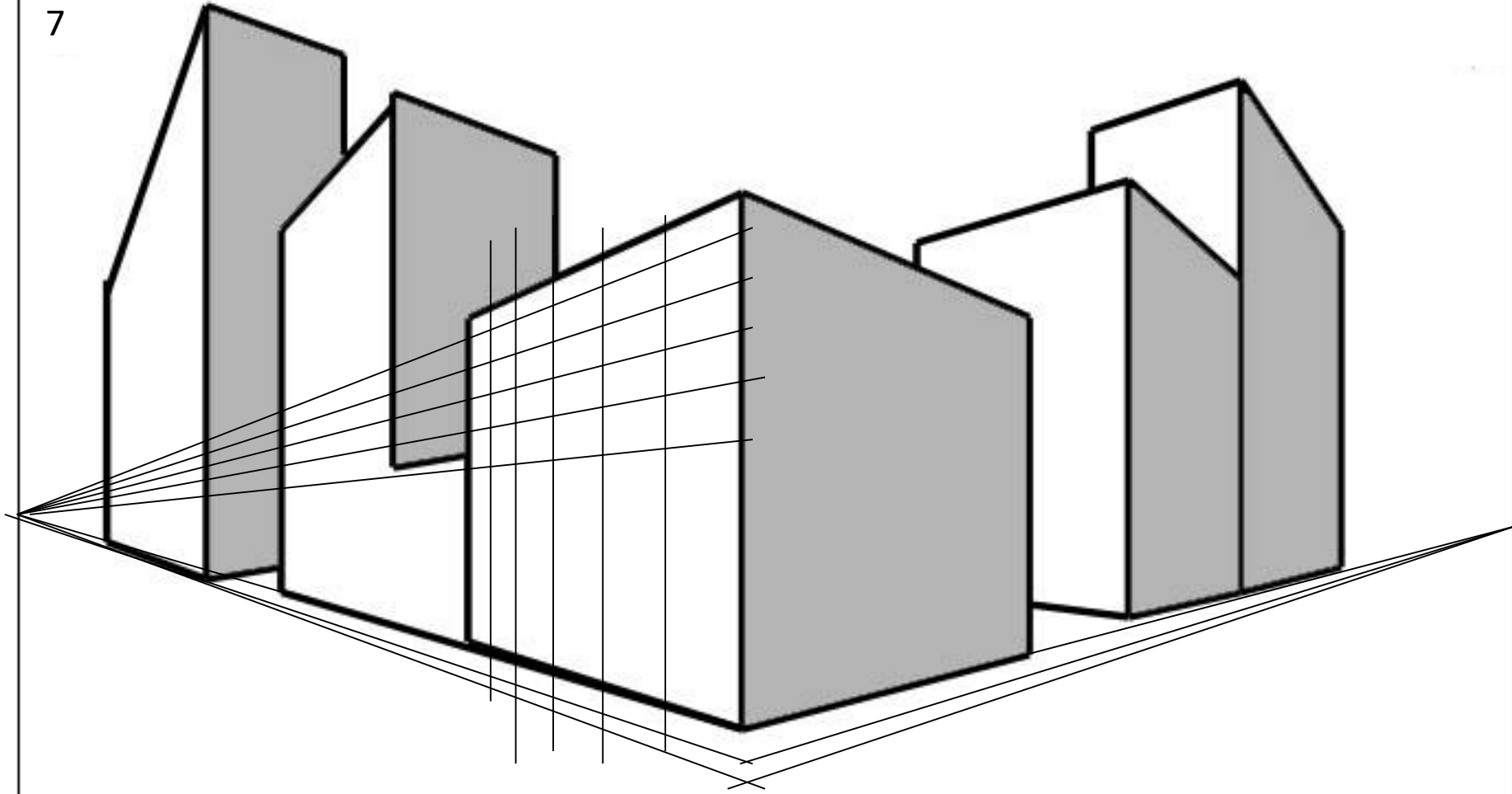
6



PERSPECTIVE

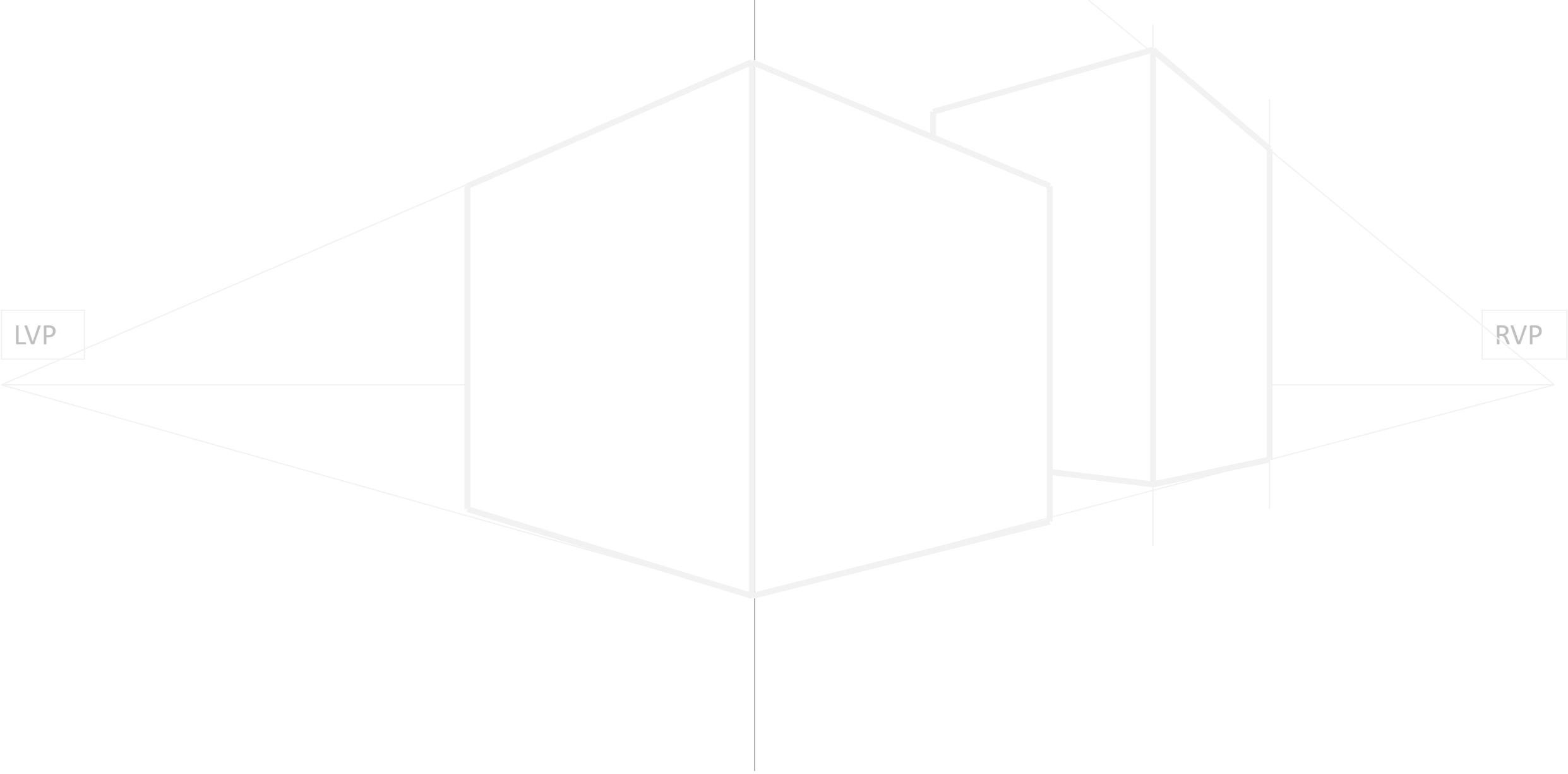
Extension

7



PERSPECTIVE

Name _____



LVP

RVP